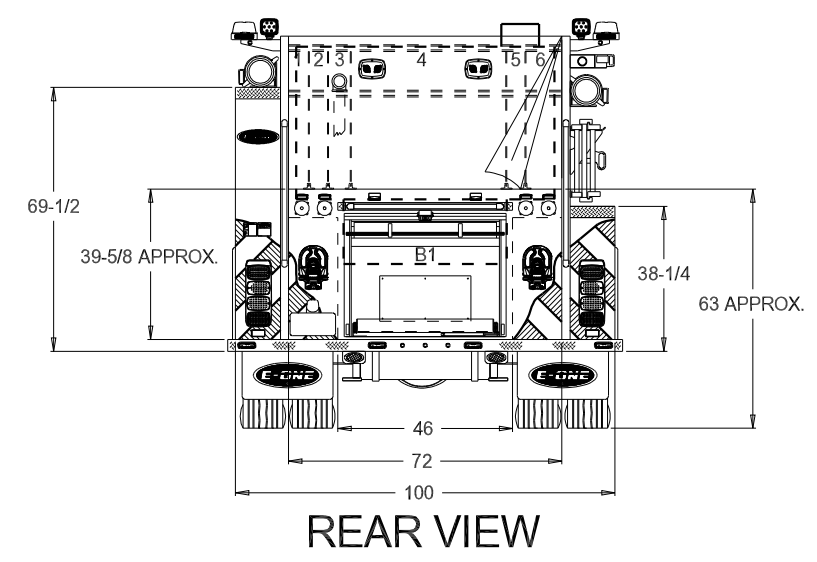
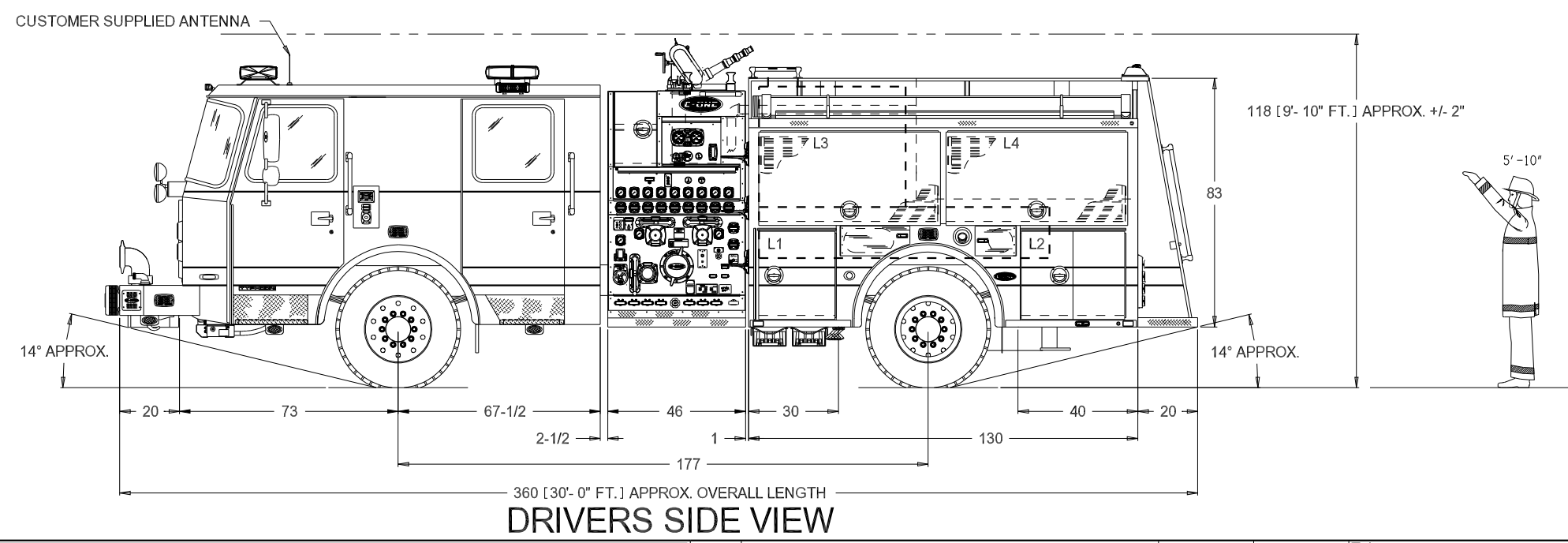


COMPARTMENT DIMENSIONS		
COMPT.	CLEAR DOOR OPENING (W x H):	COMPARTMENT INTERIOR (W x H x LD/UD):
L1	22-1/2"W x 25"H	26"W x 31-1/4"H x 27"D
L2	31"W x 25"H	36"W x 31-1/4"H x 27"D
L3	56"W x 28"H	61"W x 34-1/4"H x 14"D
L4	56"W x 28"H	61"W x 34-1/4"H x 14"D
R1	22-1/2"W x 28"H	26"W x 34-1/4"H x 27"D
R2	31"W x 28"H	36"W x 34-1/4"H x 27"D
B1	39"W x 23-3/4"H	46"W x 35"H x 26"D

HOSE BED LAYOUT:
 BED 1 = 200' OF 1-3/4" HOSE
 BED 2 = 200' OF 1-3/4" HOSE
 BED 3 = 300' OF 2-1/2" HOSE PRECONNECTED
 BED 4 = 1200' OF 4" HOSE
 BED 5 = 300' OF 1-3/4" HOSE
 BED 6 = 400' OF 2.50" HOSE



THIS DRAWING IS FOR REFERENCE PURPOSES. ALL DIMENSIONS ARE SUBJECT TO MINOR VARIATIONS DUE TO MANUFACTURING PROCESSES.

This print is the property of E-ONE Inc. and is loaned to you subject to return on demand, unless otherwise agreed to in writing by E-ONE Inc. Its contents are confidential and must not be copied or submitted to third parties for use or examination.

DEALER APPROVAL _____ DATE _____ AS IS

CUSTOMER APPROVAL _____ DATE _____ WITH REVISIONS

REV.	REVISION NOTE / CO#:	DATE:	DRAWN BY:
-	INITIAL DRAWING TO MATCH QUOTE REV. 39	083017	R.S.
A	REVISED DRAWING TO MATCH QUOTE REV. 51	092717	R.H.
B	REVISED DRAWING TO MATCH QUOTE REV. 70	101317	R.H.
C	TURNED INTO JOB ORDER (REF Q86423) & ORDER SCRUB	012218	R.R.
D	EDITS PER PRE-BUILD CR'S	031618	R.H.

Tolerance:
 Lin: ±.50" Ang: ±50 °

Units:
 Inches [mm Imports Only]

Dealer:
PATRIOT FIRE

Water Tank Capacity:
780 GALLON L-TANK

GENERATOR:
 -

Misc:
 -

E-ONE

ORCHARD BEACH VOLUNTEER FIRE DEPT.
 SO. NO. 142110 (PSLS-TYPH)
 TYPHOON LONG FLAT ROOF
 PUMPER 780 GALLON L-TANK

FILE NAME: 142110 ORCHARD BEACH VOLUNTEER FIRE DEPT